



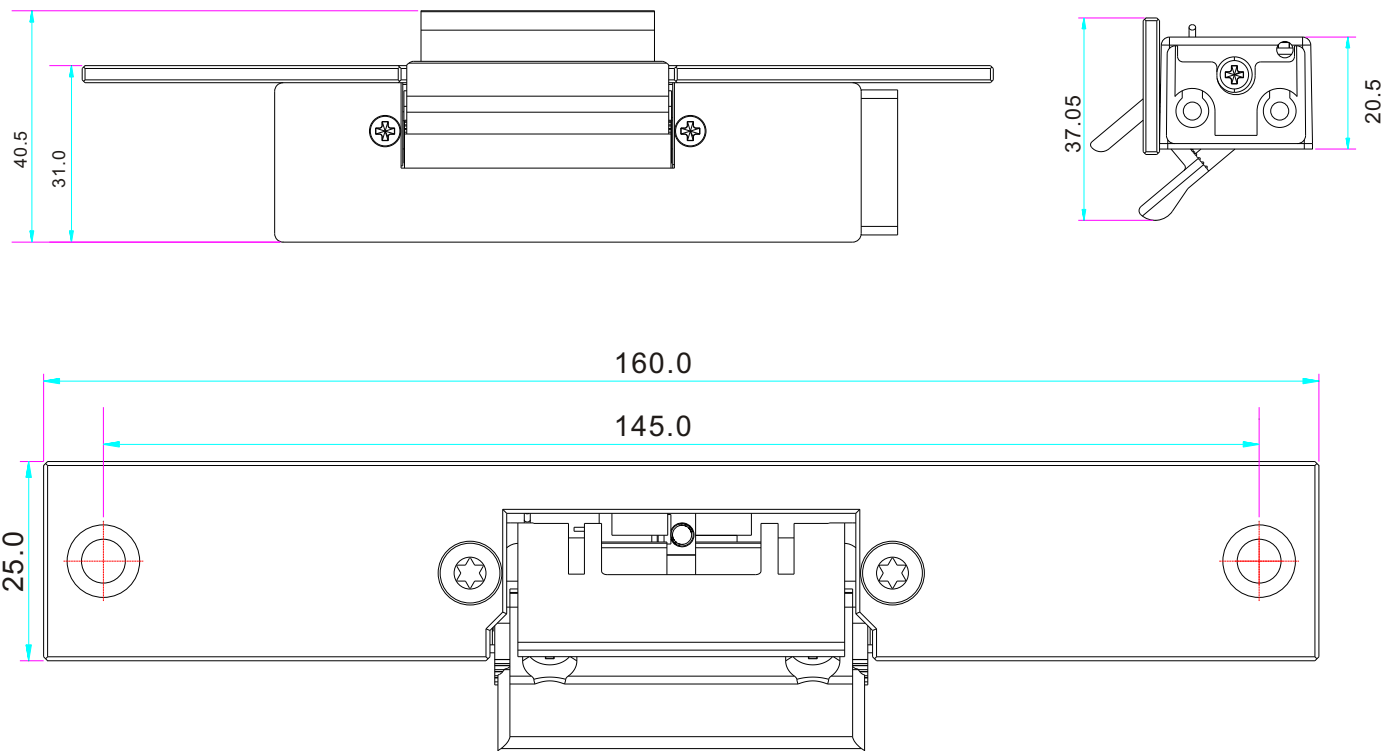
Electric Strike

## Fail Safe for Glass Door Electric Strike Model:YS-133NC/NC-S

### Specification

<b>SIZE</b>	160Lx25Wx31H(mm)
<b>VOLTAGE</b>	12VDC
<b>CURRENT</b>	200mA
<b>FEATURE</b>	Fail safe
<b>GLASS THICKNESS</b>	8-12mm
<b>WEIGHT</b>	0.4kg

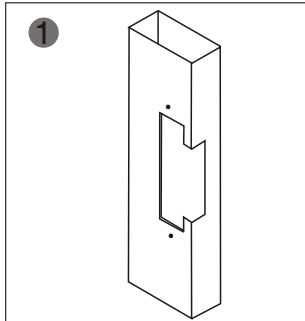
### Diagram(unit:mm)



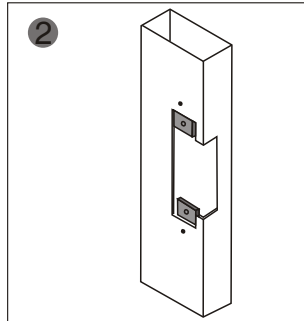


# Electric Strike

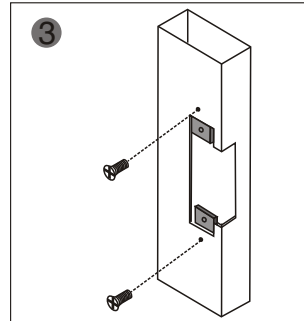
## Installation



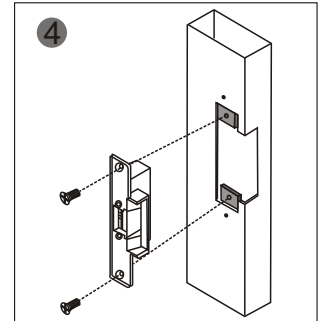
1 Cut hole according to the dimension of strike.



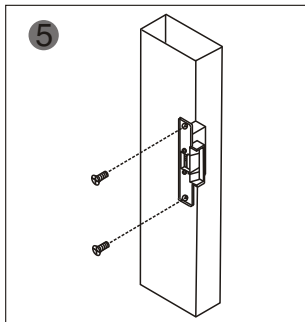
2 Insert the fixing lug



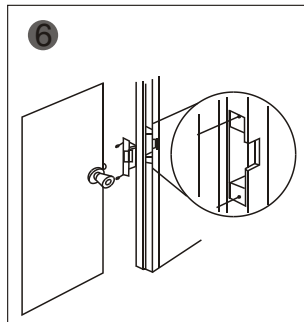
3 Fix the fixing lug



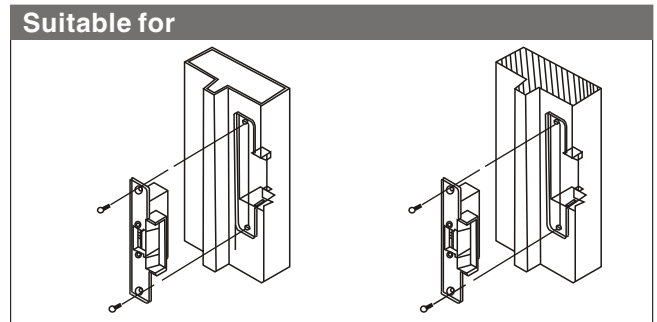
4 Assemble the lock and connect it to the power to test



5 Fix the electric strike



6 Finished



Suitable for Metal Door Frame

Wooden Door Frame

## Wire Connection

