



360° CEILING MOUNT PASSIVE INFRARED DETECTOR

SX-360Z



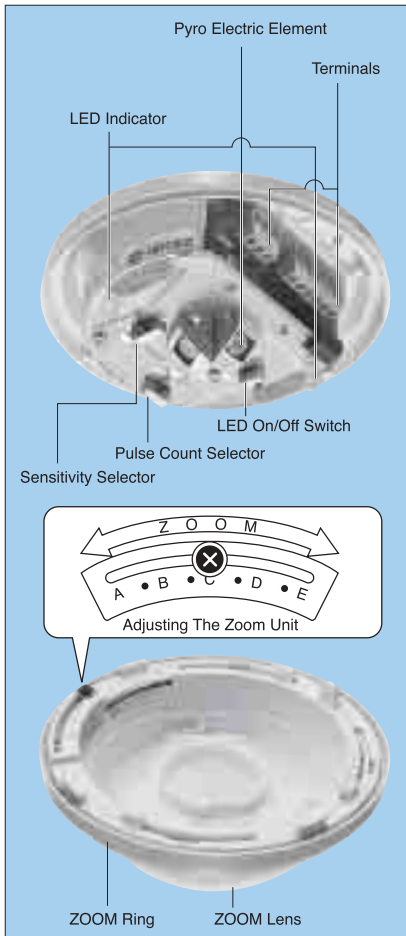
"ZOOM" INTO ANY INSTALLATION

Optex's Unique Zoom Function and Highly Dense, Triple Element Detection Pattern, Provide Unsurpassed Detection Performance at Any Ceiling Height Up to 16 Feet!

OPTEX incorporates its latest technology into a new generation of 360° Bdetectors. The unique "Zoom" mechanism makes the SX-360Z the most flexible detector available. The 276 dense zones will provide a 60ft.(18m) circular detection area at any installation height from 8 to 16ft.(2.4 to 5m) with absolutely no dead spots. The SX-360Z's compact design makes it the perfect detector for all types of applications—residential and commercial, large and small.

360° CEILING MOUNT PASSIVE INFRARED DETECTOR

SX-360Z



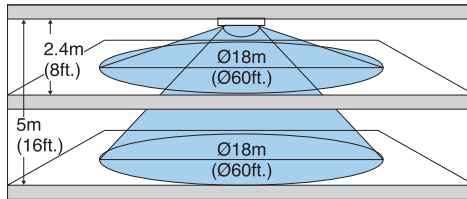
FEATURES

Highly Dense

Provides highly dense coverage with as many as 276 detection zones, eliminating dead spots over its broad 18m(60ft.) diameter detection area.

Zoom Function/Pattern Adjustment

The pattern angle can be variably adjusted. The special lens can be adjusted up and down by rotating the housing cover of the "Zoom" mechanism. The angle adjustment can provide a 360° 18m(60ft.) diameter detection area at any ceiling height up to 5m(16ft.) with high detection performance.



Patented Multi-focus Lens

Creates zones with high vertical density for maximum detection sensitivity.

False Alarm Protection

- RFI Protection
- No alarm against field strength levels exceeding 30V/m for the range of 100MHz. to 1.2GHz.
- Temperature Protection
- No alarm in high, low and changing temperatures from -20° to +50°C(-4° to +122°F)
- Noise Reduction Circuit
- Selectable Pulse Count: 1,2,4.
- Selectable Sensitivity: High, Medium, Low.

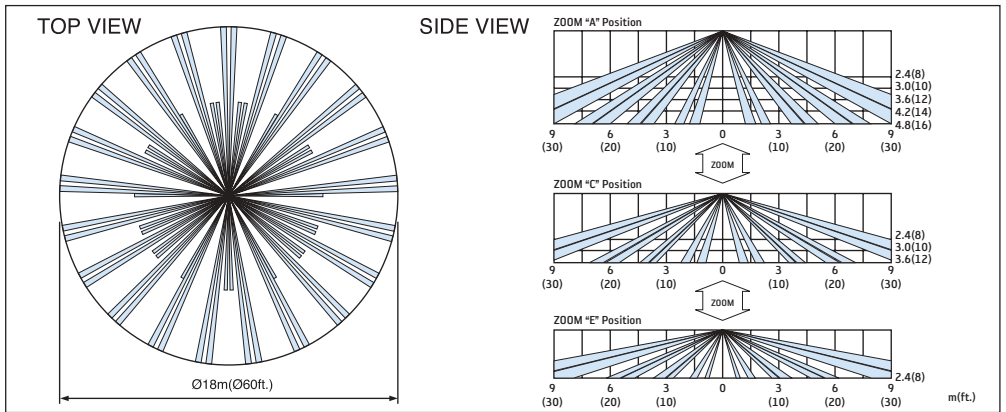
Other Features

- LED On/Off Switch.
- Warm-up Indicator

Versions

- SX-360Z: Standard
- 3X-360ZS: Form C Relay
- SX-360ZV: initial Alarm Memory and Patented Double Conductive Shielding of Pyro Element.

DETECTION PATTERNS



SPECIFICATIONS

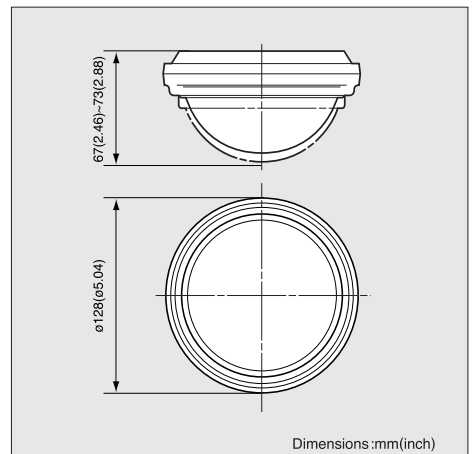
Model	SX-360Z
Detection method	Passive Infrared
Coverage	ø18m (ø60ft.), 360° ZOOM
Detection zones	276 zones
Mounting	Ceiling Height: 2.4~5m (8~16ft.)
Sensitivity	1.6°C (3°F) at 0.6m/sec. (2ft./sec.)
Detectable Speed	0.3~1.8m/sec. (1~6ft./sec.)
LED indicator	LED blinks during warm-up period Alarm condition
Alarm period	2.0±0.5sec.
Alarm output	N.C. 28VDC 0.2A max.
Tamper switch	N.C., Opens when cover removed.
Pulse count	2.0±5sec. 1,2 or 4
Warm-up period	Approx. 20sec. (LED blinks)
Power input	6~18VDC
Current draw	13mA/(normal), 18mA/(max.)
Weight	224g (7.90oz.)
Operating Temperature	-20°C~+50°C (-4°F~+122°F)
Environment humidity	95% max.
RF interference	No Alarm 30 V/m

S Version (Form C)	
Model	SX-360ZS
Alarm output	Form C 28VDC 0.2A max.
Current draw	30mA/(normal), 35mA/(max.)
Weight	225g (7.94oz.)

V Version (Alarm memory)		
Model	SX-360ZV	SX-360ZV(P)
Alarm memory	Armed: 0~1V DC	Armed: +5~20V DC
Initial alarm memory	Max. 40 detectors	
Current draw	13mA/(normal), 25mA/(max.)	
Weight	227g (8.00oz.)	
RF interference	No Alarm 30 V/m	

UL LISTED : SX-360Z

DIMENSIONS



*Specifications and design are subject to change without prior notice.

NOTE: This unit is designed to detect an intruder and activate an alarm control panel. Being only a part of a complete system, we cannot assume responsibility for theft or damages, should it occur.



OPTEX CO., LTD. (ISO 9001 Certified by LRQA / ISO14001 Certified by JET)
5-8-12 Ogoto, Otsu, Shiga, 520-0101 Japan
TEL +81(0)77 579 8670 FAX +81(0)77 579 8190 <http://www.optex.co.jp/e>

OPTEX INCORPORATED (USA) <http://www.optexamerica.com>
OPTEX (EUROPE) LTD. (UK) <http://www.optexeurope.com>
(ISO9001 Certified by NQA)

OPTEX SECURITY SAS (FRANCE) <http://www.optex-security.com>
OPTEX KOREA CO., LTD. (KOREA) <http://www.optexkorea.com>
OPTEX SECURITY Sp. z o.o. (POLAND)

"Take Care of the Environment" This catalogue uses recycled paper No. 75079-02-909-0408